

Presentation

The rotating beacons in the Harmony XVR range are optical signalling units designed for long distance signalling applications.

They are used mainly in the iron and steel industry, on industrial handling vehicles or for safety applications.

Environment characteristics

Rotating beacons type		XVR 08	XVR 10	XVR 12	XVR 13B●● XVR 13J●●	XVR 13●●●L
Product certifications		CE, UL and CSA				
Conforming to standards		EN/IEC 61000-6-2, EN/IEC 61000-6-4				EN/IEC 60947-1, EN/IEC 60947-5-1
Protective treatment		"TC"				
Ambient air temperature	For storage	°C	- 35...+ 70			
	For operation	°C	- 10...+ 50			- 30...+ 50
Electric shock protection conforming to IEC 61140		Class II				
Degree of protection conforming to IEC 60529		IP 23 (IP 65 with accessory)	IP 23 (IP 55 with accessory)	IP 23	IP 66 (resistant to vibration)	IP 66 and IP 67
Material	Domed lens unit	PC				
	Base	ABS				
Light source		Super Bright LED				

Electrical characteristics

Rotating beacons type		XVR 08J XVR 10J XVR 12J XVR 12J●●S	XVR 08B XVR 10B XVR 12B XVR 12B●●S XVR 13B●●L	XVR 13J	XVR 13B	XVR 13G●●L	XVR 13M●●L	
Voltage		V	≈ 12	≈ 24	≈ 12	≈ 24	~ 120	~ 230
Rated impulse withstand voltage		kV	0.8			4		
Consumption	Without buzzer	W	3.2			5		
	With buzzer (for XVR 12●●●S)	W	4	4.7	-			
Audible units with continuous or intermittent tone (short/long or high/low)	For XVR 12●●●S Sound level at 1 m	dB	50...90					
Flashing frequency of illuminated units		Hz	2.3 2.7 for XVR 13					
Connection	Wire c.s.a	mm ²	0.83 mm ² / SPT-1 AWG 18 (1) for XVR 08●, XVR 10● and XVR 12● 0.83 mm ² / UL1007 AWG 18 (1) for XVR 12●●●S 1.25 mm ² / VCT for XVR 13					
	Cable length	mm	400 500 for XVR 08●					

(1) AWG: American Wire Gauge.

References:

Dimensions:

Signalling solutions

Rotating beacons Harmony type XVR (equipped with Super Bright LED)



XVR 08●●●



XVR 10●●●



XVR 13●●●



XVR 13●●●L

Complete, pre-cabled rotating beacons

Diameter mm	Sound option	IP degree of protection	Voltage V	Colour	Reference	Weight kg					
Ø 84	Without buzzer	IP 23 (IP 65 With accessories)	~ 12	Red	XVR 08J04	0.300					
				Orange	XVR 08J05	0.300					
				Green	XVR 08J03	0.300					
				Blue	XVR 08J06	0.300					
			~ 24	Red	XVR 08B04	0.300					
				Orange	XVR 08B05	0.300					
					~ 24	Green	XVR 08B03	0.300			
						Blue	XVR 08B06	0.300			
					Ø 106	Without buzzer	IP 23 (IP 55 With accessories)	~ 12	Red	XVR 10J04	0.500
									Orange	XVR 10J05	0.500
									Green	XVR 10J03	0.500
									Blue	XVR 10J06	0.500
~ 24	Red	XVR 10B04	0.500								
	Orange	XVR 10B05	0.500								
Ø 120	Without buzzer	IP 23	~ 12	Red	XVR 12J04	0.500					
				Orange	XVR 12J05	0.500					
				Green	XVR 12J03	0.500					
				Blue	XVR 12J06	0.500					
			~ 24	Red	XVR 12B04	0.500					
				Orange	XVR 12B05	0.500					
Ø 120	With buzzer	IP 23	~ 12	Red	XVR 12J04S	0.500					
				Orange	XVR 12J05S	0.500					
				Green	XVR 12J03S	0.500					
				Blue	XVR 12J06S	0.500					
			~ 24	Red	XVR 12B04S	0.500					
				Orange	XVR 12B05S	0.500					
Ø 130	Without buzzer	IP 66 Resistant to vibration	~ 12	Red	XVR 13J04	0.800					
				Orange	XVR 13J05	0.800					
			~ 24	Red	XVR 13B04	0.800					
				Orange	XVR 13B05	0.800					
			IP 66 and IP 67	~ 24	Red	XVR 13B04L	0.820				
					Orange	XVR 13B05L	0.820				
		~ 120		Red	XVR 13G04L	0.990					
				Orange	XVR 13G05L	0.990					
		~ 230		Red	XVR 13M04L	0.990					
				Orange	XVR 13M05L	0.990					

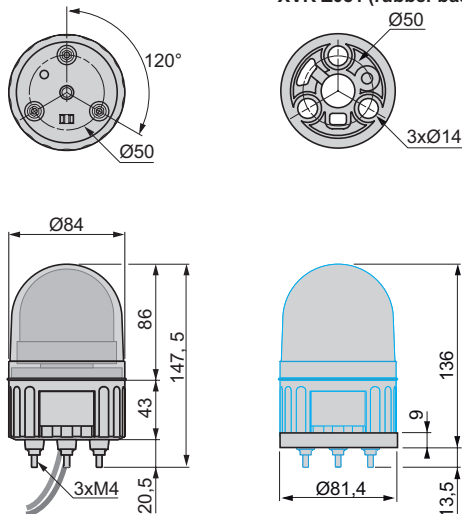
Accessories for rotating beacons

Description	To be used for / with	Diameter mm	Height mm	Reference	Weight kg
Reflecting prism	-	84	-	XVR ZR1	0.010
		106	-	XVR ZR2	0.015
		120/130	-	XVR ZR3	0.020
Rubber base	Increasing the IP degree	84	-	XVR Z081	0.040
		106	-	XVR Z082	0.050
Metal angle bracket	Horizontal support	84, 106, 120	-	XVC Z23	0.380
		130	-	XVR 012L	1.300
Metal fixing plate	Horizontal support	106, 120	300	XVC Z13	0.700

Complete, pre-cabled rotating beacons

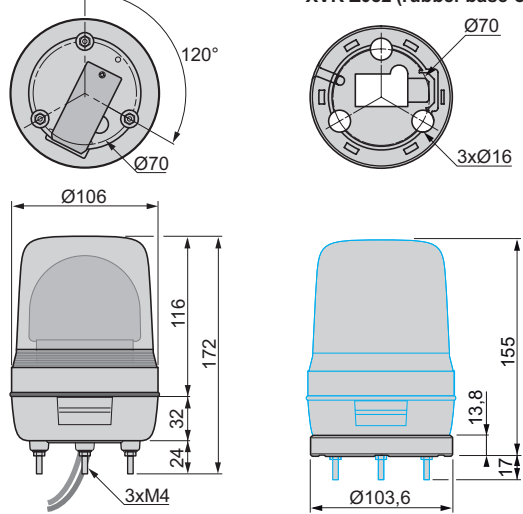
XVR 08●0●

XVR Z081 (rubber base-optional part)



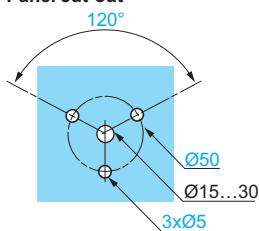
XVR 10●0●

XVR Z082 (rubber base-optional part)

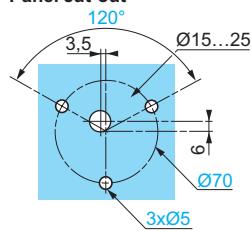


4

Panel cut-out



Panel cut-out



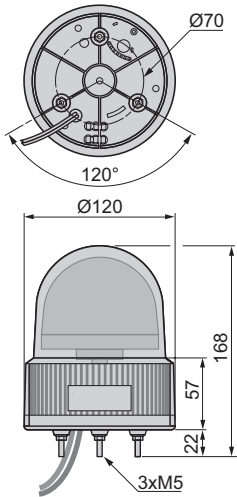
Presentation:

Characteristics:

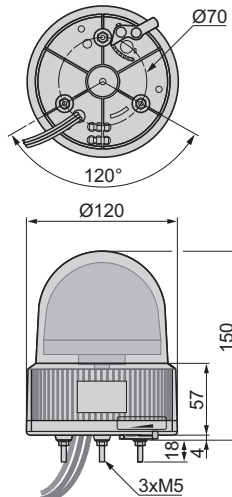
References:

Complete, pre-cabled rotating beacons (continued)

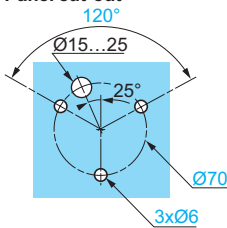
XVR 12●0●



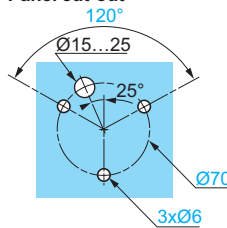
XVR 12●0●S



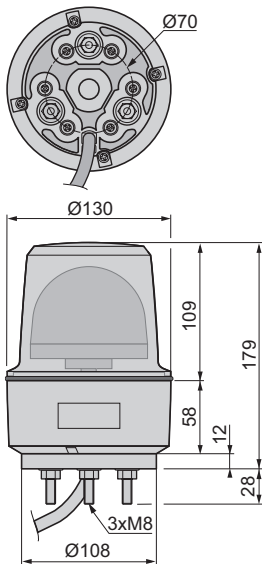
Panel cut-out



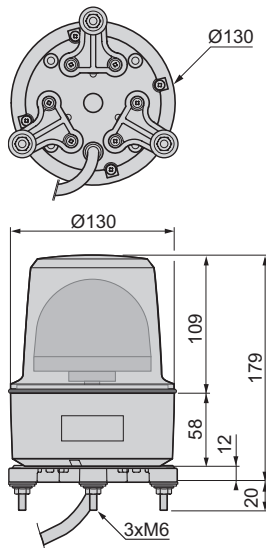
Panel cut-out



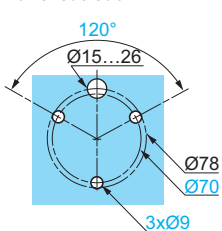
XVR 13●0●



XVR 13●0●L



Panel cut-out



Panel cut-out

