

# K10



# K1/ K2



# K30 ... K150



An extended offer, three ranges: *your solution*

## K1/ K2

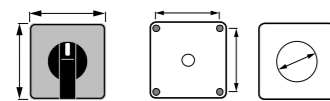
- 12 and 20 Amperes switches
- stepping switches (2 to 5 step)
- reversing switches
- changeover switches (1 to 4 pole)
- ammeter and voltmeter switches
- multi-fixing or by Ø 22 mm hole
- 45 x 45 mm front plate

## K10

- 10 Amperes switches
- stepping switches (2 to 5 step)
- reversing switches
- changeover switches (1 to 4 pole)
- fixing by Ø 16 or Ø 22 mm hole
- 30 x 30 mm front plate

## K30 ... K150

- 32 to 150 Amperes switches
- starting switches
- motor reversing switches
- 4 hole fixing (48 x 48 or 68 x 68 mm)
- with 64 x 64 mm or 88 x 88 mm front plate



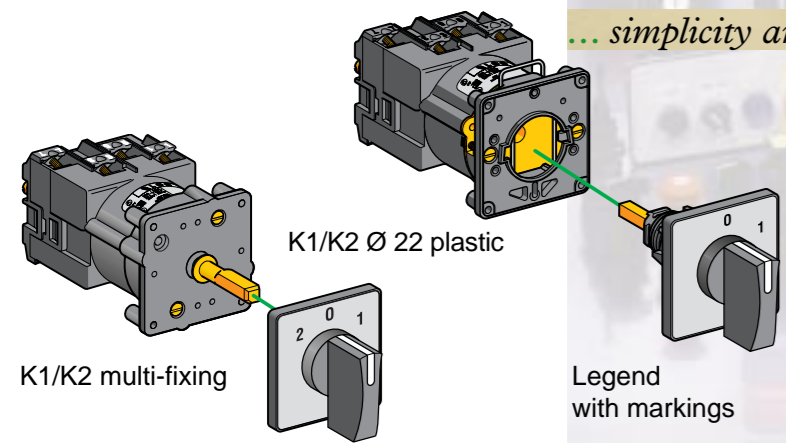
Rating	Front plate	Mounting	Switches								Selectors								Reversing				Changeover				Pole change Star-delta			Motor reversing			Selectors																					
			Function	0 - 1	0 - 1	0 - 1	0 - 1	0 - 1	0 - 1	0 - 1	0 - 1	stepping	stepping	stepping	stepping	stepping	stepping	stepping	stepping	stepping	2-0-1 sprg. ret.	2 - 0 - 1	2 - 0 - 1	2 - 0 - 1	2 - 0 - 1	1 - 2	1 - 2	1 - 2	1 - 2	2-speed Dahlander	0 - Y - Δ	Δ-Y-O -Y -Δ	1 - 0 - 2	1 - 0 - 2	Voltmeter	Voltmeter	Ammeter																	
			No. of poles	3	4	1	2	3	4	6	1	1	1	1	1	2	2	2	2	2	2	1	1	2	3	4	1	2	3	4	3	3	5	2	3	2 supplies	3 phases	3 circuits																
			Note: The legend and switching programme drawings are for K1 / K2 cam switches. They may vary slightly for the K10 and K30... K150 switches.																																																			
10 A	K10	30x30 mm Ø 16 / 22 mm					K10A001ACH	K10B002ACH	K10C003ACH	K10D004ACH										K10B002QCH	K10C003QCH	K10D004QCH	K10C003NCH	K10D004NCH	K10D012QCH	K10F013QCH																			K10F027MCH	K10D024MCH	K10F003MCH							
12 A	K1	45x45 mm multi-fixing	K1C003HLH	K1D004HLH	K1A001ALH	K1B002ALH	K1C003ALH	K1D004ALH	K1F006ALH	K1B002QLH	K1C003QLH	K1D004QLH	K1C003NLH	K1D004NLH	K1D012QLH	K1F013QLH	K1D012NLH	K1F013NLH	K1B006TLH	K1B001ULH	K1D002ULH	K1F003ULH	K1H004ULH	K1B011ULH	K1D012ULH	K1F013ULH	K1H014ULH																			K1F027MLH	K1D024MLH	K1F003MLH						
12 A		45x45 mm Ø 22 mm (plastic)	K1C003HCH	K1D004HCH	K1A001ACH	K1B002ACH	K1C003ACH	K1D004ACH	K1F006ACH	K1B002QCH	K1C003QCH	K1D004QCH	K1C003NCH	K1D004NCH	K1D012QCH	K1F013QCH	K1D012NCH	K1F013NCH	K1B006TCH	K1B001UCH	K1D002UCH	K1F003UCH	K1H004UCH	K1B011UCH	K1D012UCH	K1F013UCH	K1H014UCH																					K1F027MCH	K1D024MCH	K1F003MCH				
20 A	K2	45x45 mm multi-fixing	K2C003HLH	K2D004HLH	K2A001ALH	K2B002ALH	K2C003ALH	K2D004ALH	K2F006ALH	K2B002QLH	K2C003QLH	K2D004QLH	K2C003NLH	K2D004NLH	K2D012QLH	K2F013QLH	K2D012NLH	K2F013NLH	K2B006TLH	K2B001ULH	K2D002ULH	K2F003ULH	K2H004ULH	K2B011ULH	K2D012ULH	K2F013ULH	K2H014ULH	K2H004PLH	K2H001YLH																			K2D002WHL	K2E003WHL	K2F027MLH	K2D024MLH	K2F003MLH		
20 A		45x45 mm Ø 22 mm (plastic)	K2C003HCH	K2D004HCH	K2A001ACH	K2B002ACH	K2C003ACH	K2D004ACH	K2F006ACH	K2B002QCH	K2C003QCH	K2D004QCH	K2C003NCH	K2D004NCH	K2D012QCH	K2F013QCH	K2D012NCH	K2F013NCH	K2B006TCH	K2B001UCH	K2D002UCH	K2F003UCH	K2H004UCH	K2B011UCH	K2D012UCH	K2F013UCH	K2H014UCH	K2H004PCH	K2H001YCH																					K2D002WCH	K2E003WCH	K2F027MCH	K2D024MCH	K2F003MCH
32 A	K30	64x64 mm 48x48 mm	K30C003HP*	K30D004HP*	K30A001AP	K30B002AP	K30C003AP	K30D004AP	K30F006AP																																													
50 A	K50	64x64 mm 48x48 mm	K50C003HP*	K50D004HP*	K50A001AP	K50B002AP	K50C003AP	K50D004AP	K50F006AP																																													
63 A	K63	64x64 mm 48x48 mm	K63C003HP*	K63D004HP*			K63C003AP	K63D004AP	K63F006AP																																													
115 A	K115	88x88 mm 68x68 mm	K115C003HP*	K115D004HP*			K115C003AP	K115D004AP																																														
150 A	K150	88x88 mm 68x68 mm	K150C003HP*	K150D004HP*			K150C003AP	K150D004AP																																														

\* Also available for mounting from rear of switch (baseplate with 4 fixing holes). To order, replace •003 by •503. Example: K30C003HP becomes K30C503HP.

For all other versions, please refer to the catalogue.

## Comprehensive *know-how* Human Machine Interface ...

... *simplicity and harmony*



Body/contact assembly with fixing collar

*Harmony* style operating head (K1/K2 ranges)

Legend with markings

... *a homogeneous offer, 3 adaptable ranges*

Select the range suited to your client's requirements, your applications or your equipment:

### *K1 / K2*

*Control in industrial and commercial sectors*

- «multi-fixing» concept (enables the switch to be mounted using the most commonly used fixing centre dimensions)
- universal range: covering all switching, selection, reversing and changeover functions

### *K10*

*Control of process and utilities*

- compact
- simple integration with Ø 22 and Ø 16 mm control and signalling units
- selection of functions

### *K30 ... K150*

*Direct control of individual machines*

- reversing and starting functions

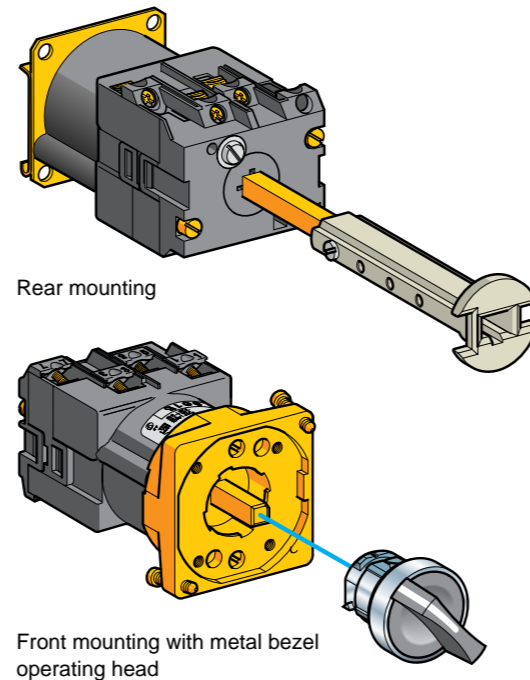
## A cam switch offer at your *service*

### *A complete offer*

The complete units shown in this selection guide provide the answer to the most frequently encountered applications.

#### *Do you have an application not covered?*

Products for user assembly can equally be found in our catalogue. Schneider Electric offers you a modular solution comprising standard sub-assemblies: body/contact blocks for front or rear mounting, operating heads, legends, etc. In addition, a full range of accessories complements our cam switch offer. For any applications requiring a non standard switching programme, a customised switch ordering form is available on request from your local representative.



### *Quick delivery*

The 300+ products listed in this selection guide are permanently stocked items. Therefore, Schneider Electric assures you of quick delivery in the event of restocking or repair servicing.

### *Worldwide availability*

With 5000 sales outlets and 800 industrial and sales centres distributed throughout 130 countries, you can be assured that, wherever you are, the cam switch offer is available.



Schneider Electric SA

Direction des Opérations Commerciales France  
5, rue Nadar  
92566 Rueil-Malmaison Cedex - France  
Tel.: (33) 01 41 29 82 00  
Fax: (33) 01 47 51 80 20

*Our Company's policy is one of continuous development and improvement and therefore, the products shown in this leaflet can be subject to changes in appearance, characteristics, operation and utilisation. The details given are for guidance only and shall not bind us in any way.*

© Copyright Schneider Electric 1999

## Telemecanique Cam switches - series K

Let yourself be guided  
with total *simplicity*



Merlin Gerin  
Modicon  
Square D  
Telemecanique

**Schneider Electric**  
Get more with the world's Power & Control specialist